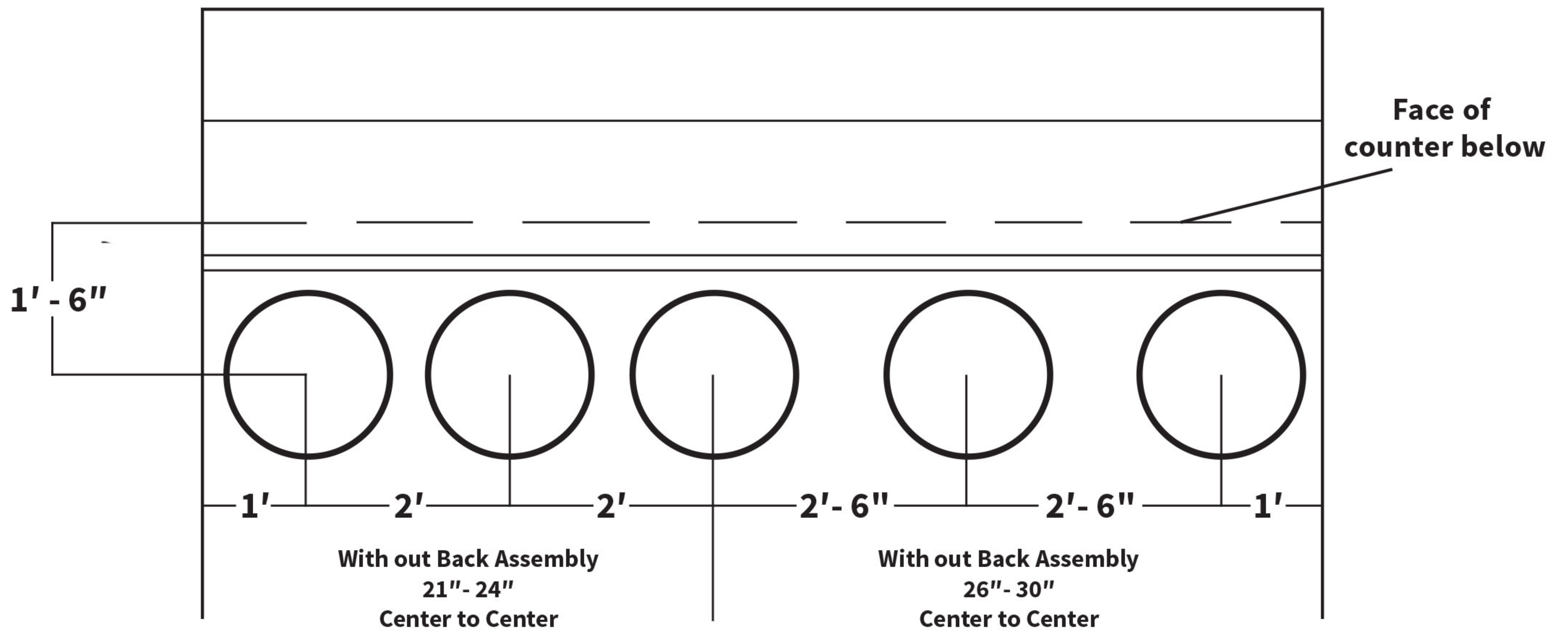
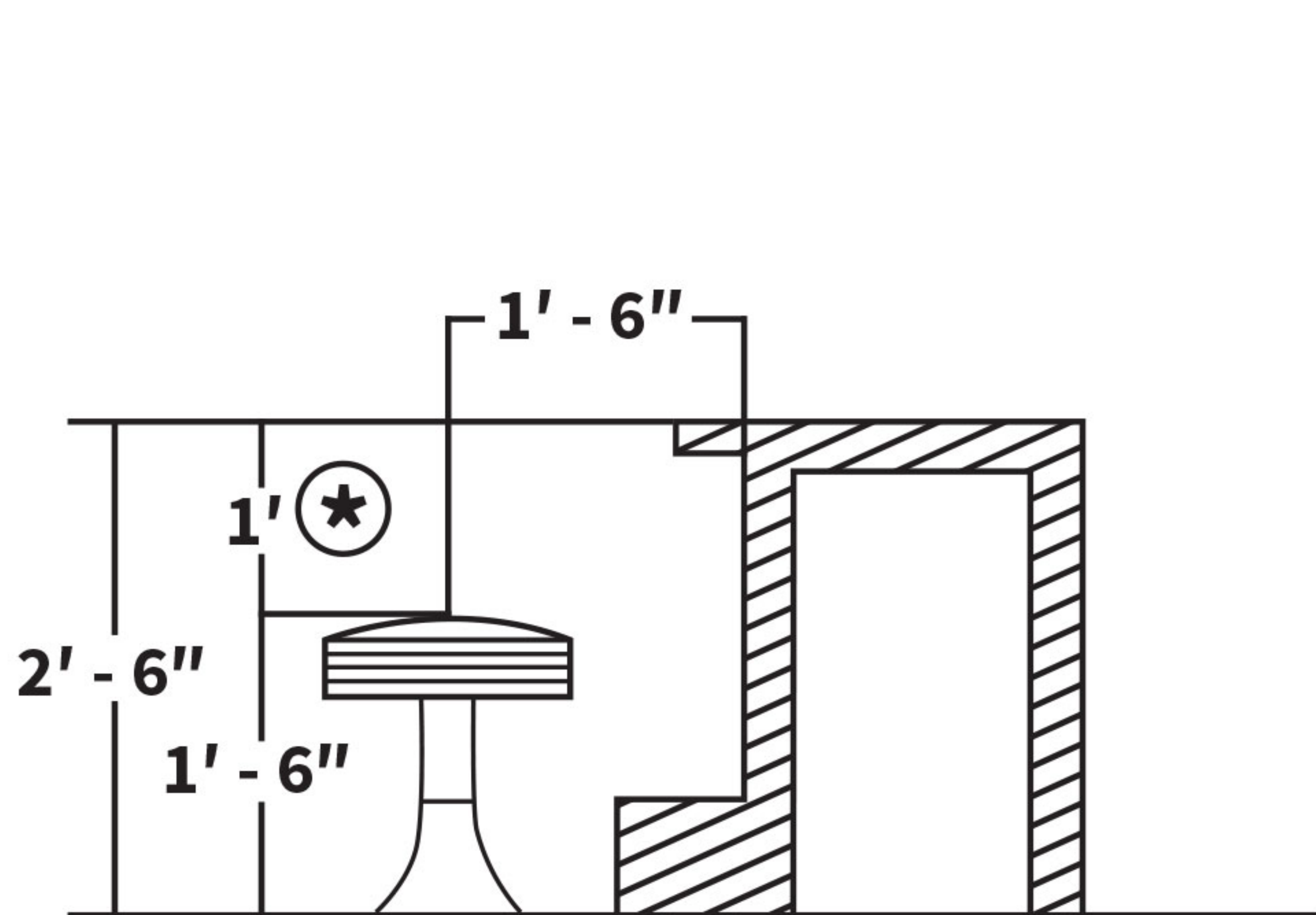


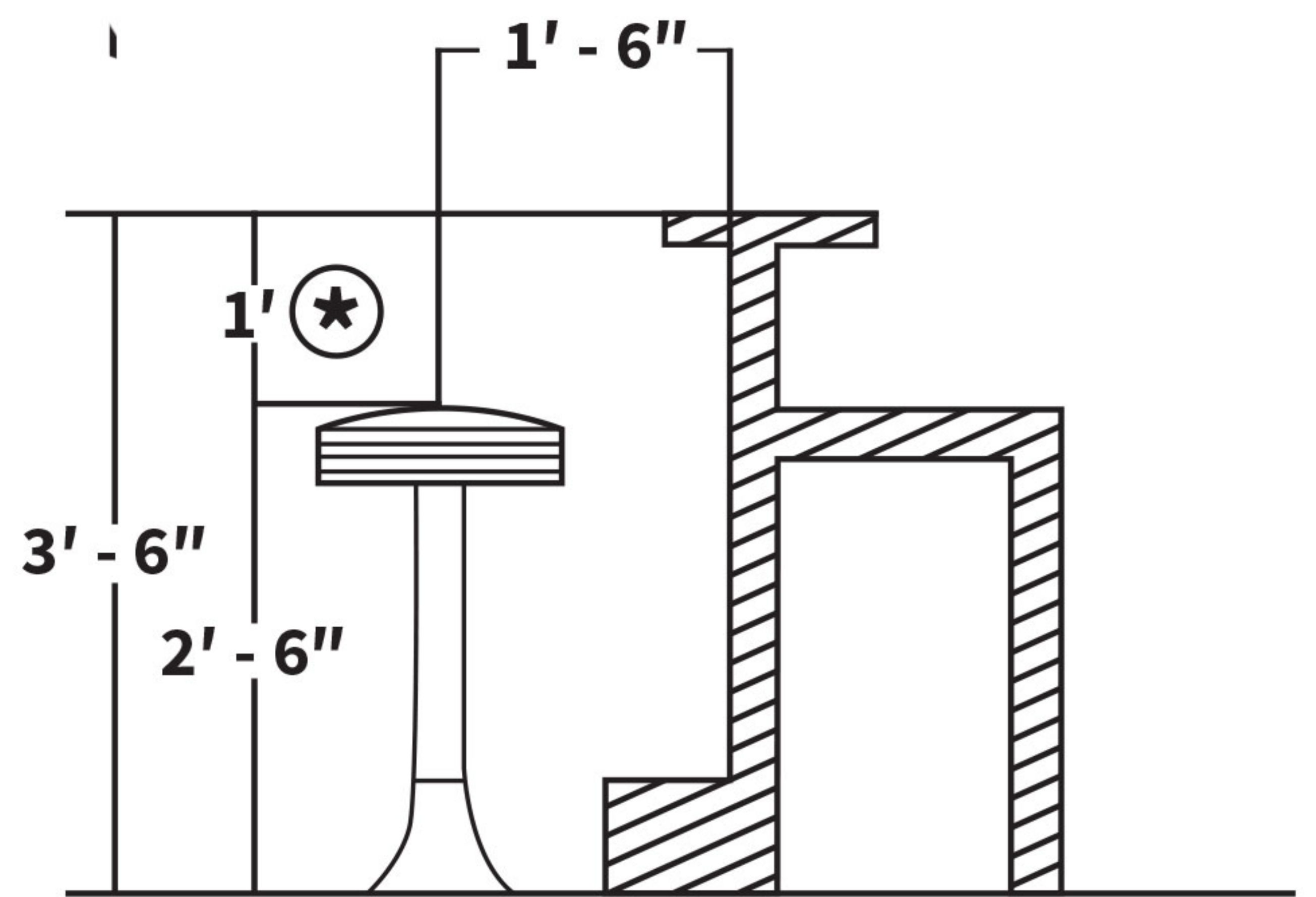
TYPICAL COUNTER STOOL POSITION



TYPICAL COUNTER PLAN



TYPICAL 30" COUNTER SECTION



TYPICAL 42" COUNTER SECTION

* - 12" Dimension should be held to maintain correct spatial relationships

* - 12" Dimension should be held to maintain correct spatial relationships