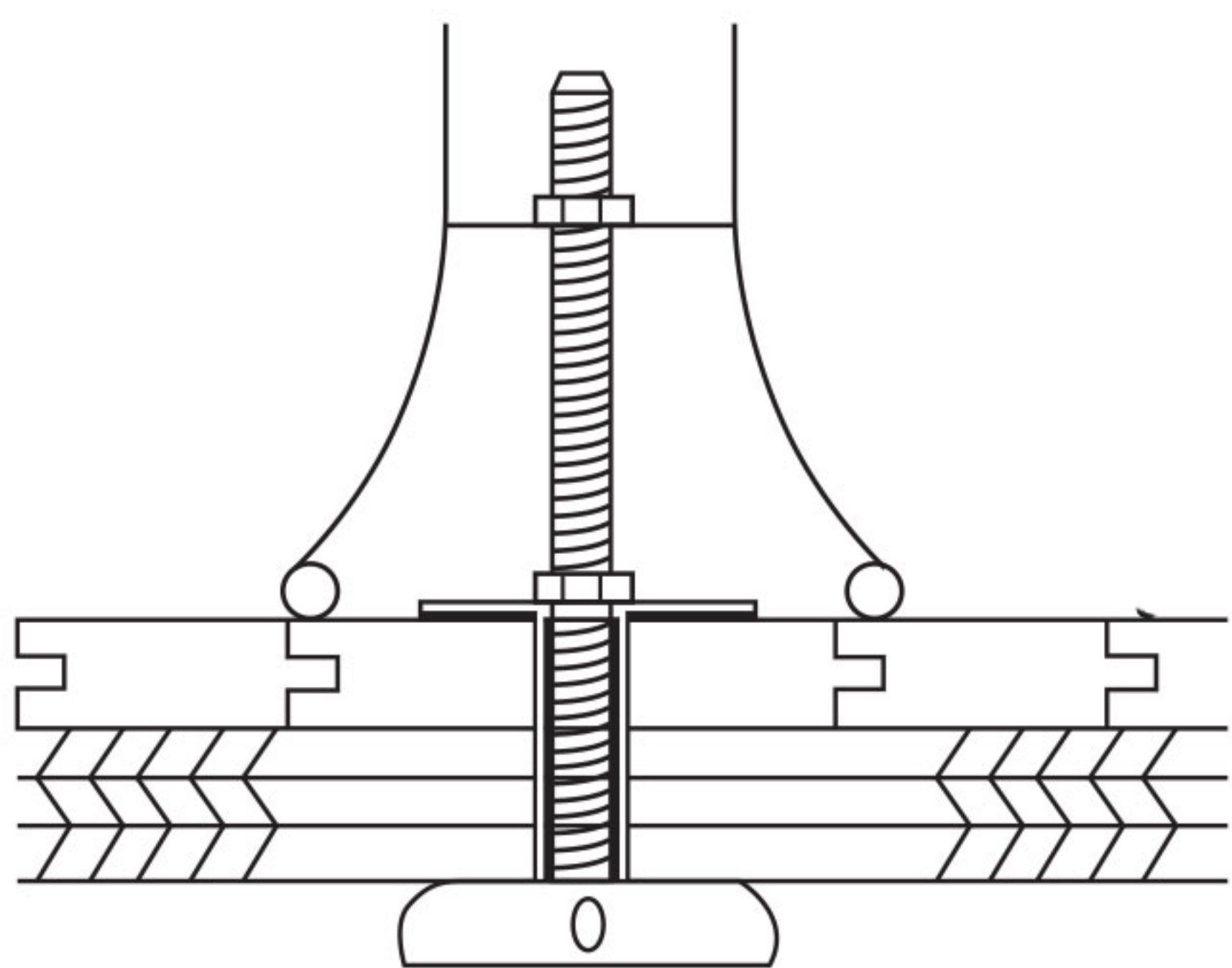


FLOOR ATTACHMENT DETAILS

WOOD FLOOR ON SLEEPERS/JOISTS

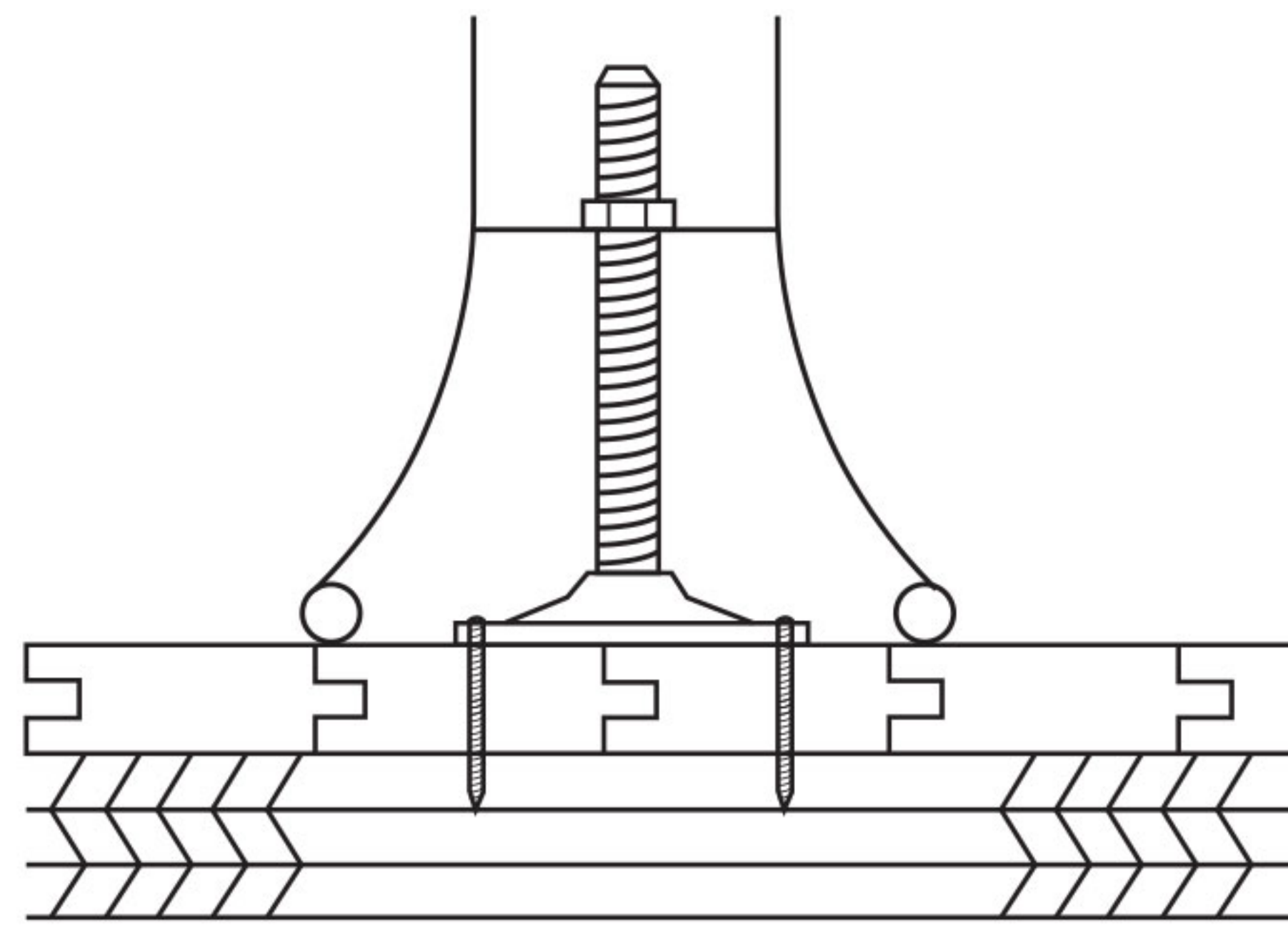
- * After marking position on floor, drill $\frac{7}{8}$ " hole in floor and insert toggle bolt
- * Lock in place with washer and $\frac{1}{2}$ " nut
- * Install base over bolt
- * Place $\frac{1}{2}$ " nut in stool, wrench and tighten with adjustable end wrench



TYPE-A

WOOD FLOOR ADHERED TO SOLID SUBSTRATE

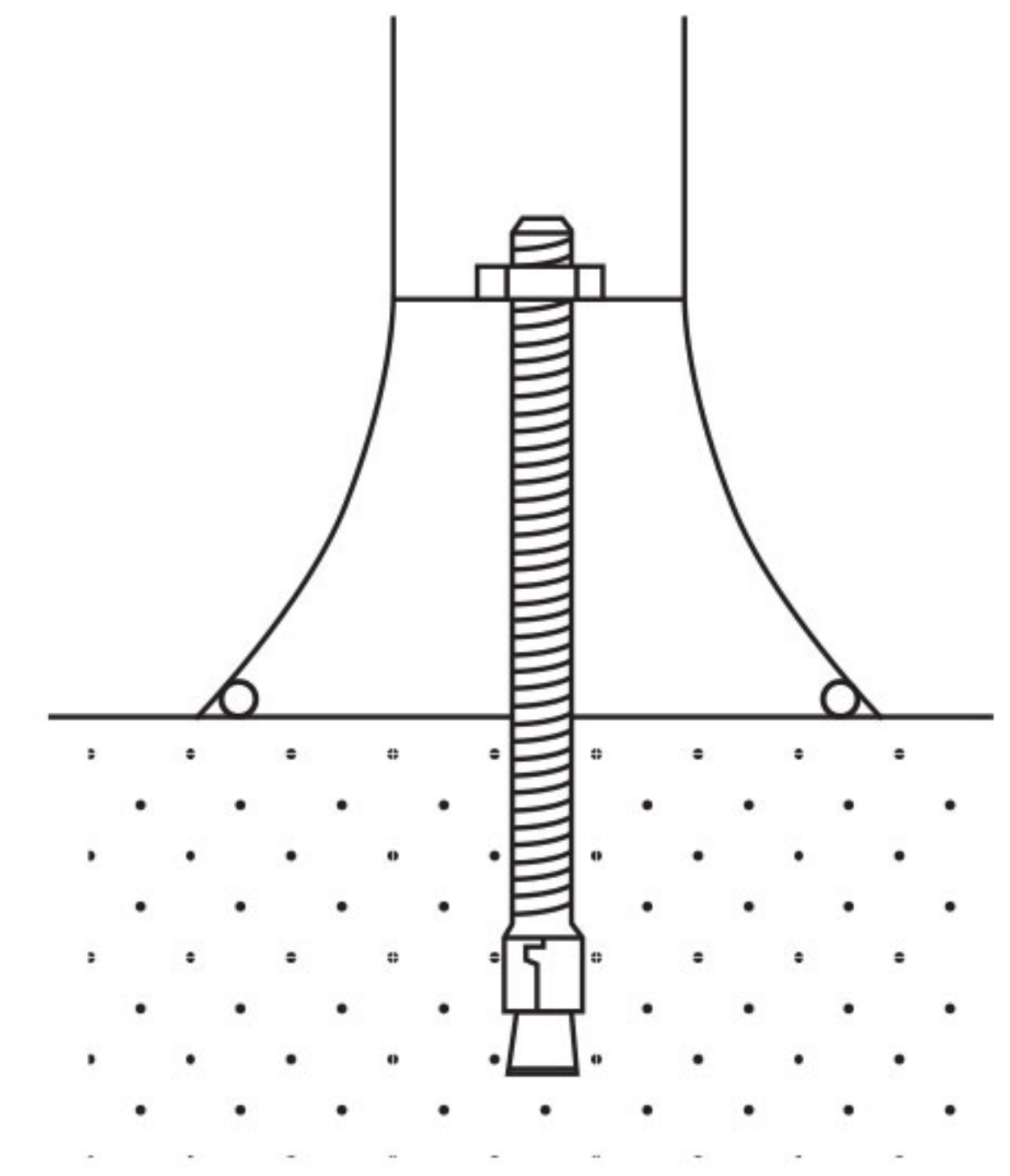
- * After marking position on floor,
- * Anchor floor plate to floor with 2" screws
- * Install base over bolt
- * Place $\frac{1}{2}$ " nut in stool, wrench and tighten with adjustable end wrench



TYPE-B

CONCRETE SUB FLOOR

- * After marking position on floor, drill $\frac{1}{2}$ " hole 2" deep.
- * Insert expansion anchor in hole and lightly set
- * Set base over bolt
- * Place $\frac{1}{2}$ " nut in stool, wrench and tighten with adjustable end wrench



TYPE-C