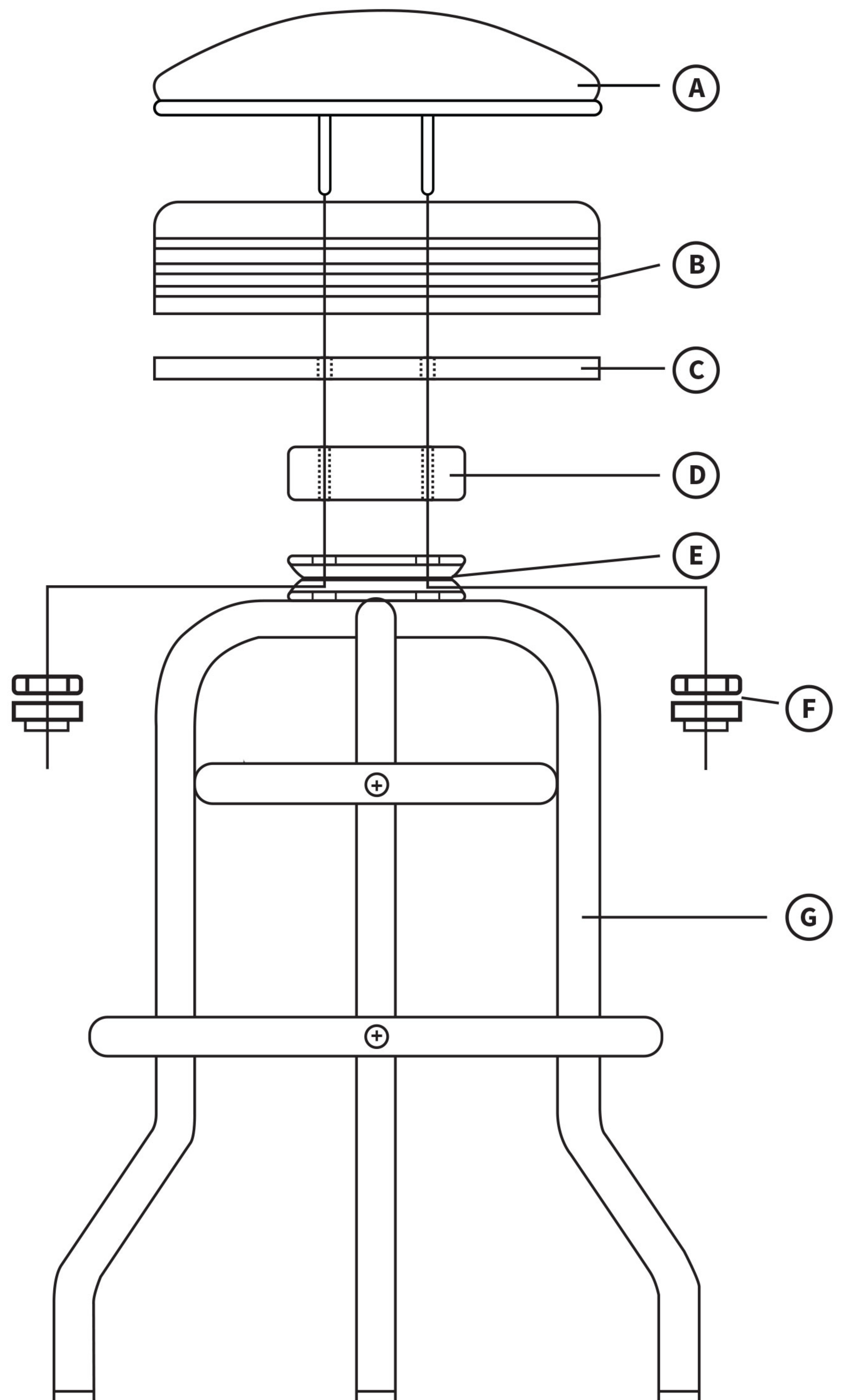


215-782 STOOL ASSEMBLY

ASSEMBLY INSTRUCTIONS

1. Assemble seat pad (A), seat ring (B), plywood ring anchor (C), and spacer block (D), upside down on clean carpeted floor in order shown.
2. Insert 3" bolt through top half of swivel mechanism (E).
3. Push down firmly, place flat washer against swivel and install lock nut (F).
4. Start all 4 washer lock nut assemblies (F) before tightening.
5. Tighten all lock nuts evenly to a snug fit
6. Part (G) is chrome frame assembly.



Required Tools:

- Phillips Head Screwdriver
- Adjustable end or box end wrench.